



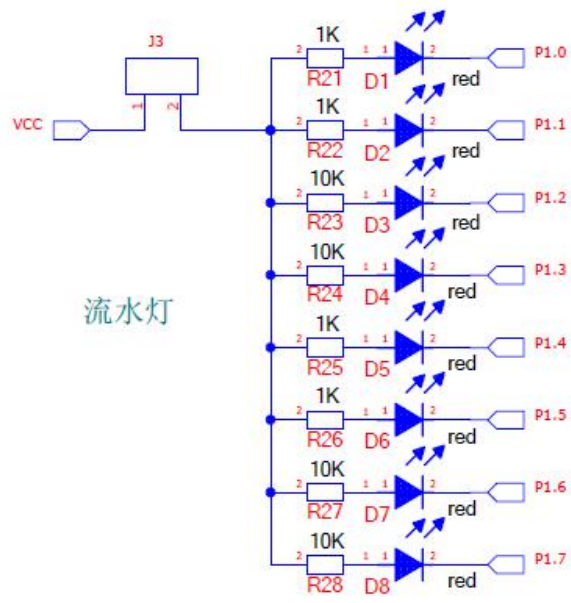
	.....	1
	.....	1
	.....	
1-1	.....	
1-1	.....	
1-	.....	
1-	.....	
1-	.....	
1-	.....	11
1-	.....	1
1-	.....	1
1-	.....	1
1-	.....	1
1-10	.....	1
1-11	.....	
1-1	.....	
1-1	.....	
1-1	.....	
1-1	.....	
1-1	.....	0
1-1	.....	
1-1	.....	
	.....	
	.....	
-1	.....	
-1	.....	
-	.....	0
-	.....	1
-	.....	
-	.....	
-	.....	
-	.....	
-	.....	1
-10	.....	
-11	.....	
-1	.....	
-1	.....	
-1	.....	1
-1	.....	
-1	.....	
-1	.....	
-1	.....	
	.....	0



		1-1	1	1-1	1-1
		-1	1	-1	-1
		-1	1	-1	-1

			1	
				0





1

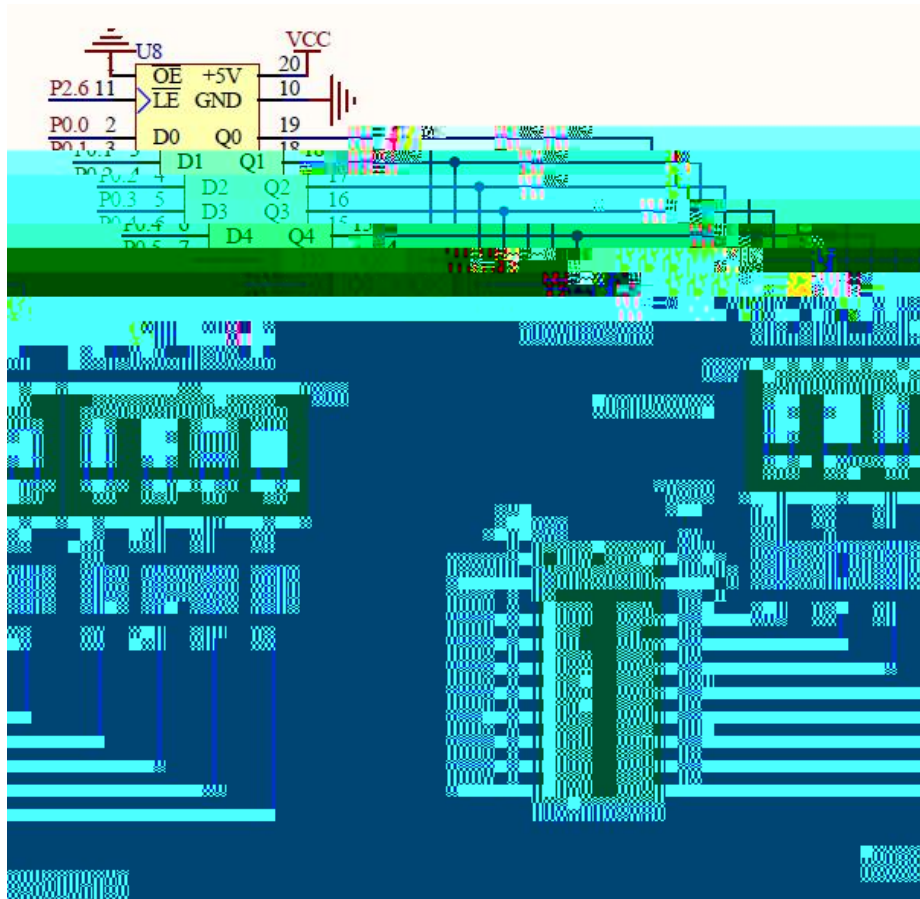




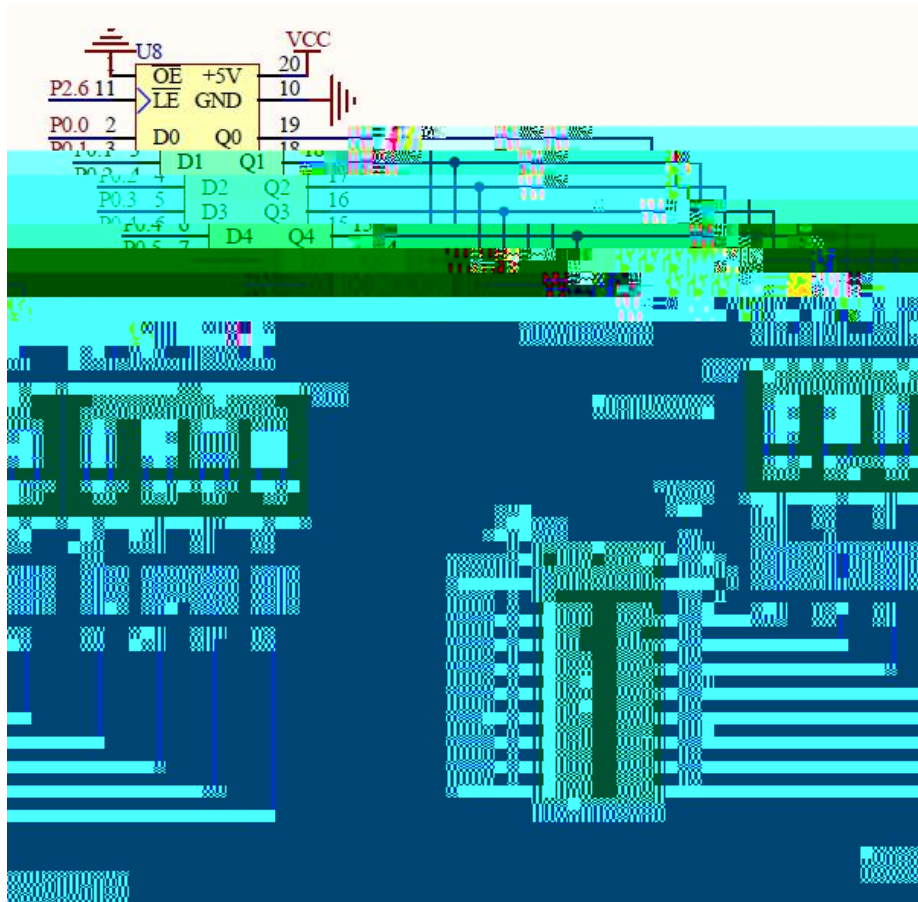




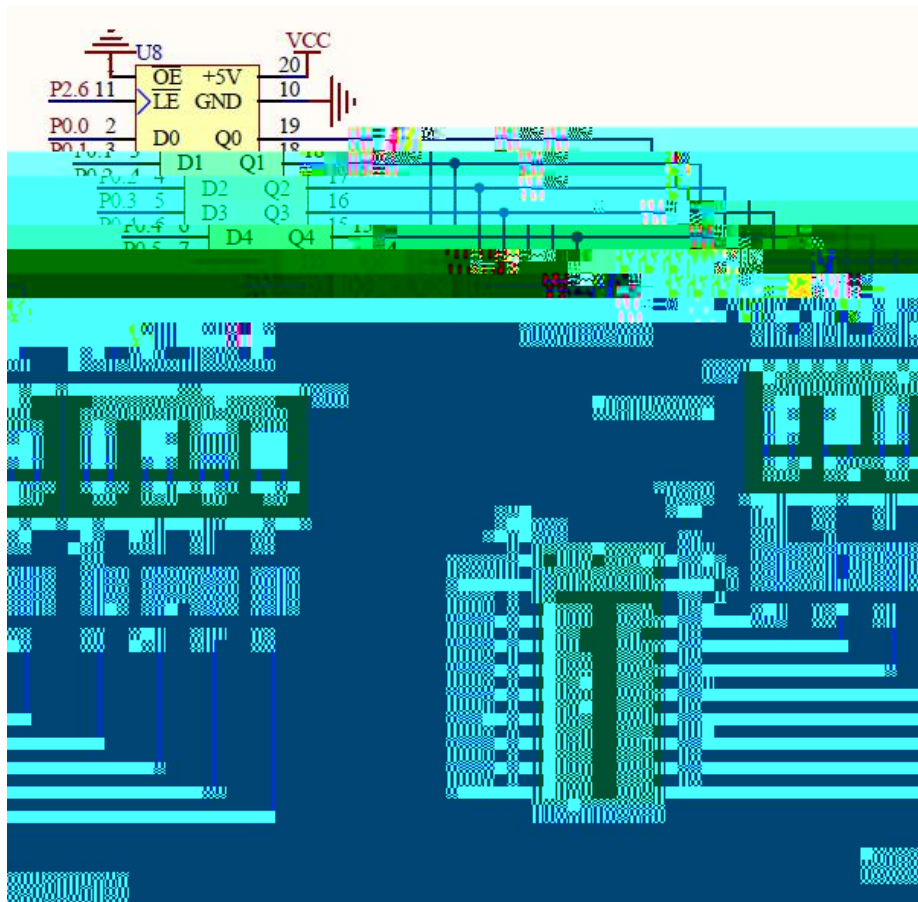






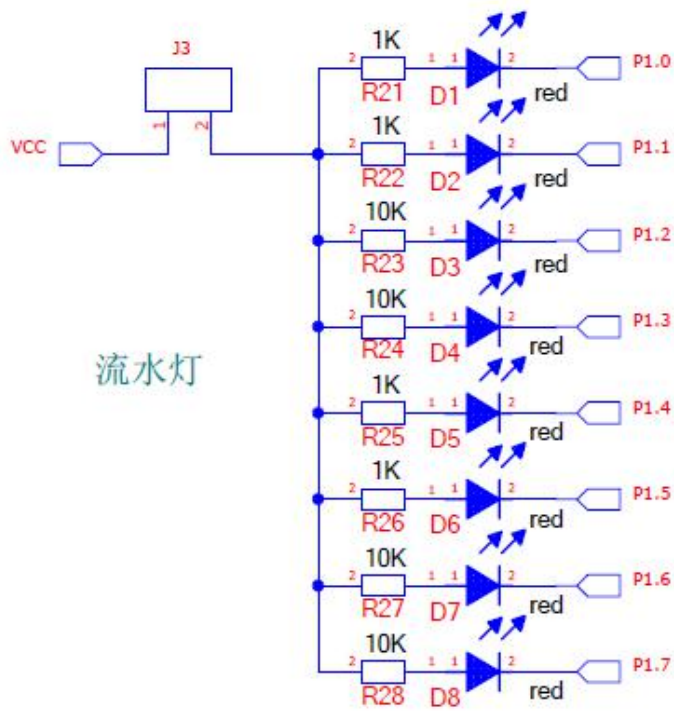




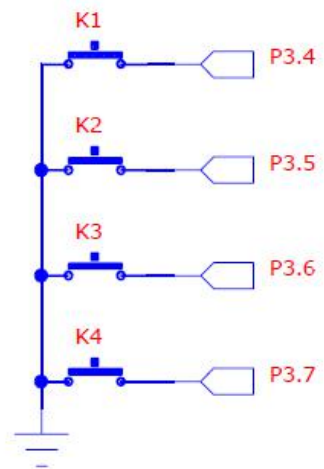




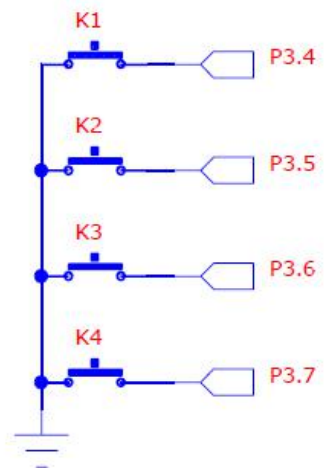
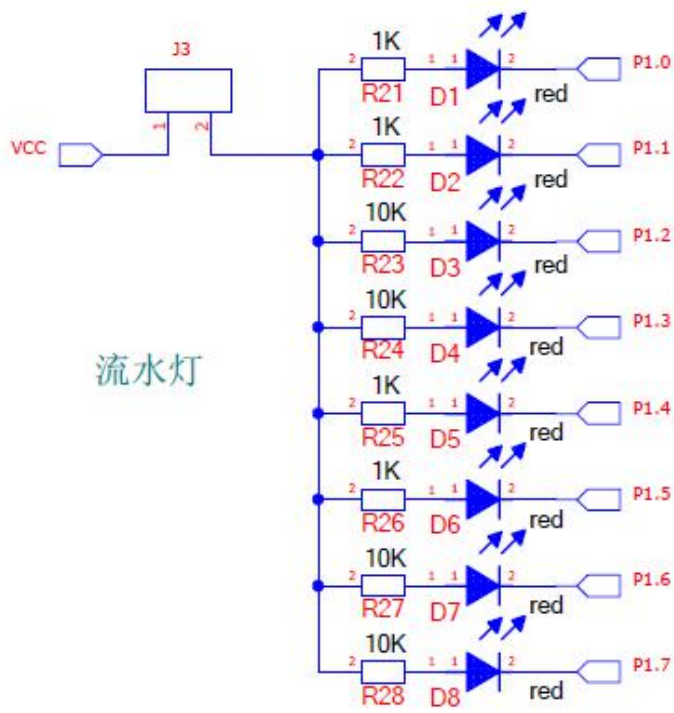




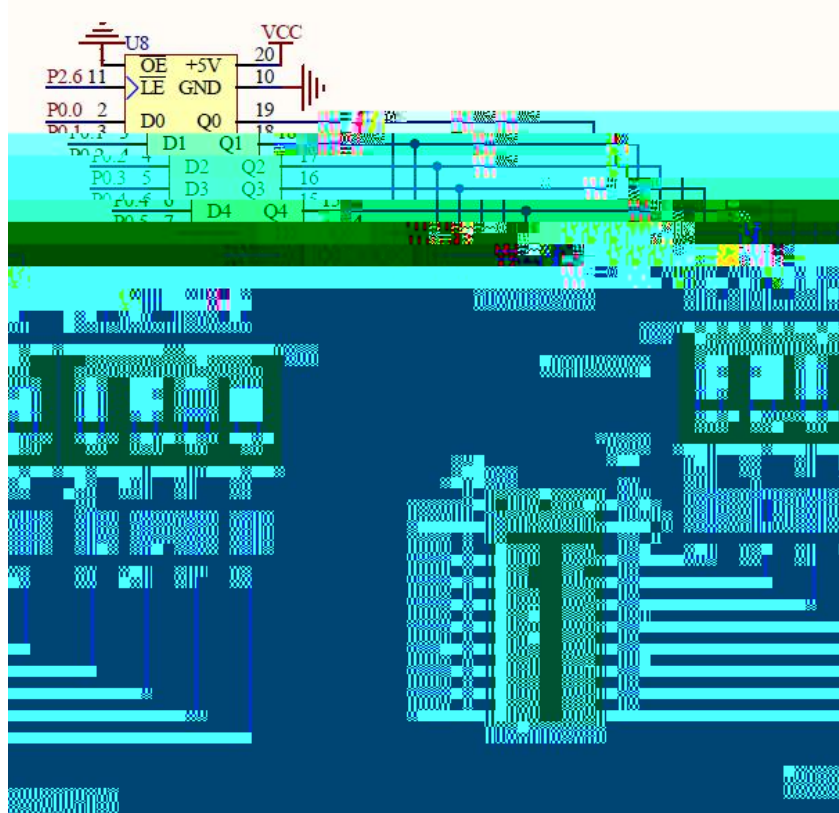
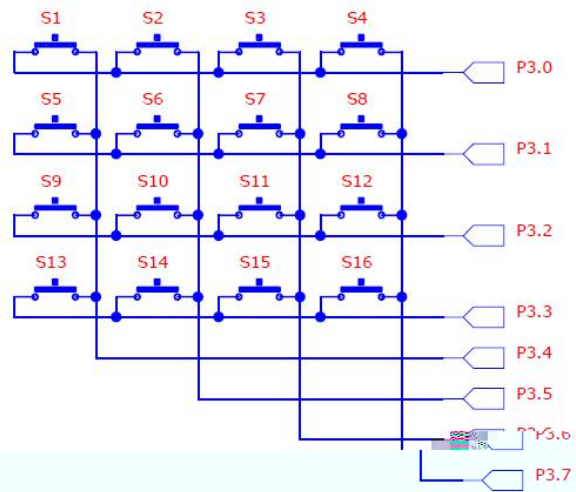
流水灯



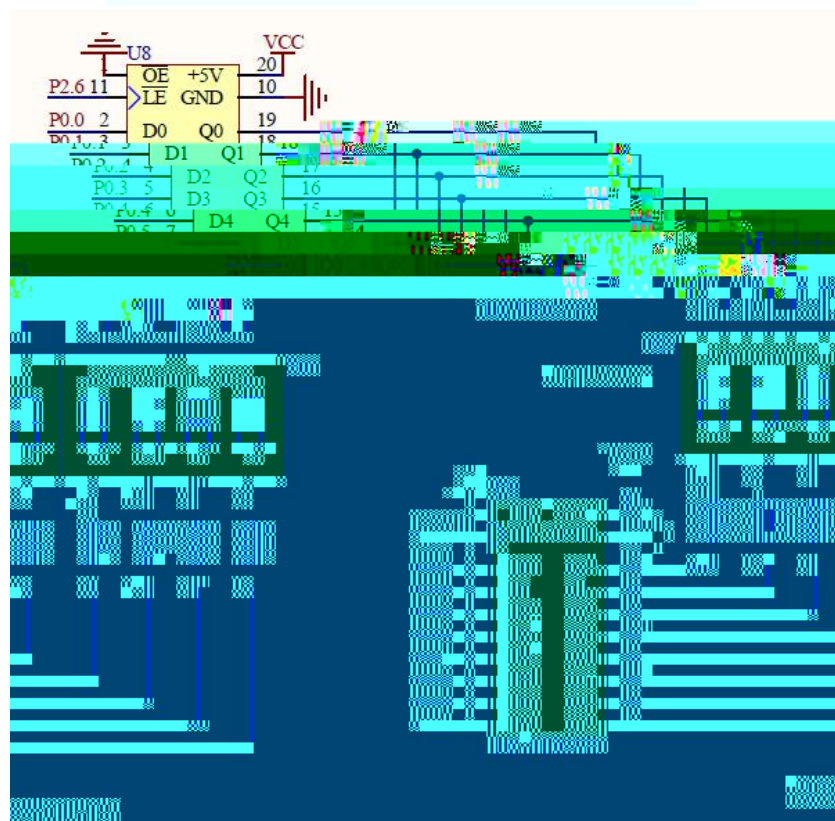
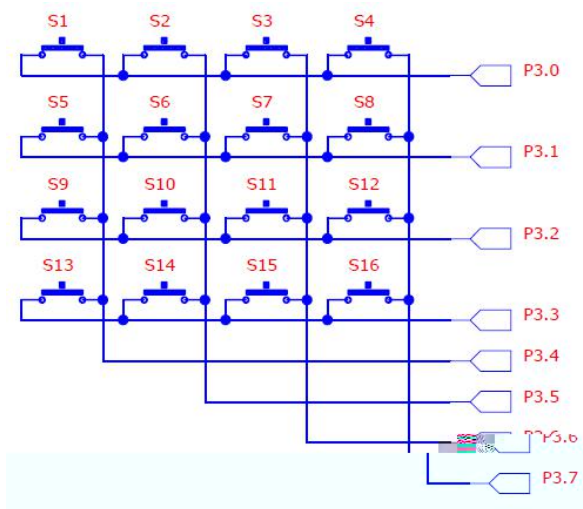






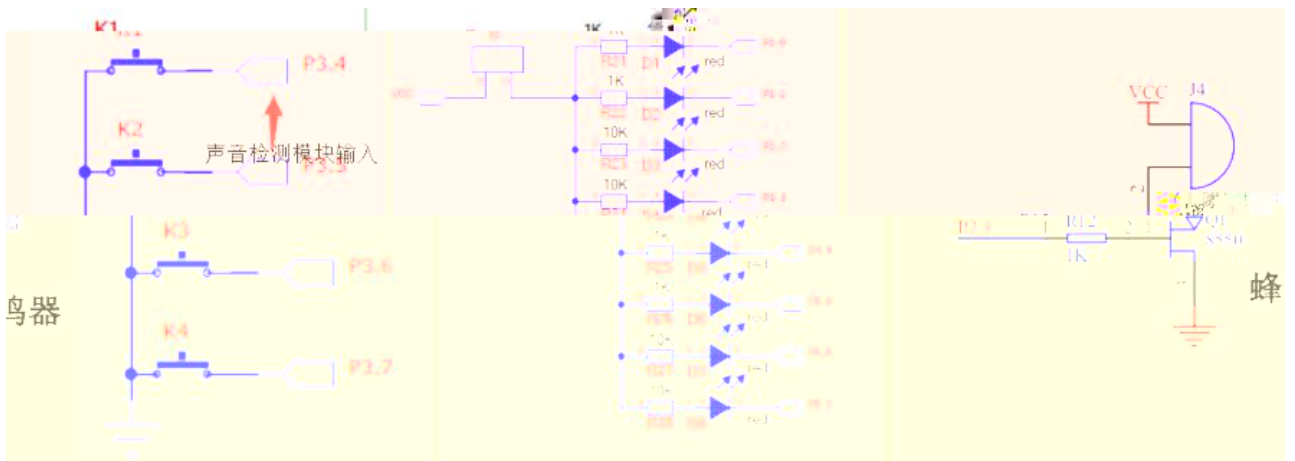


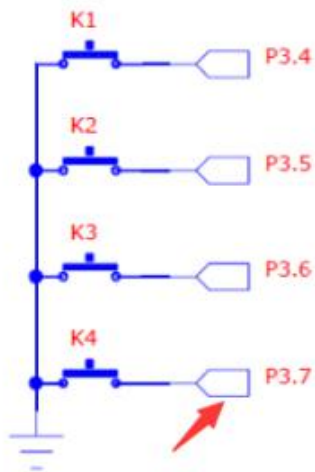




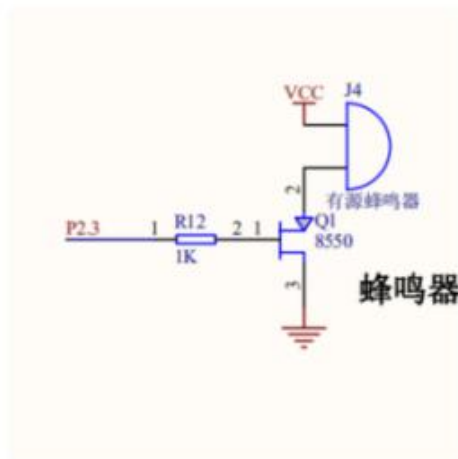




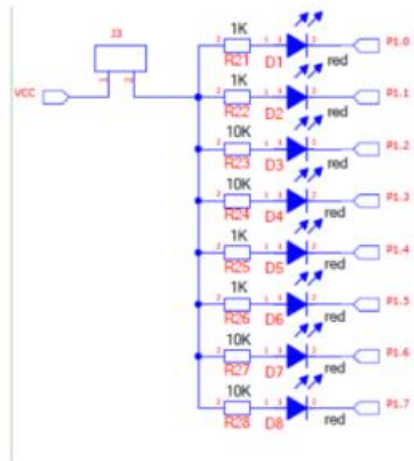
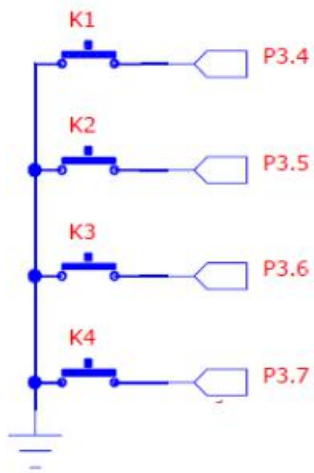


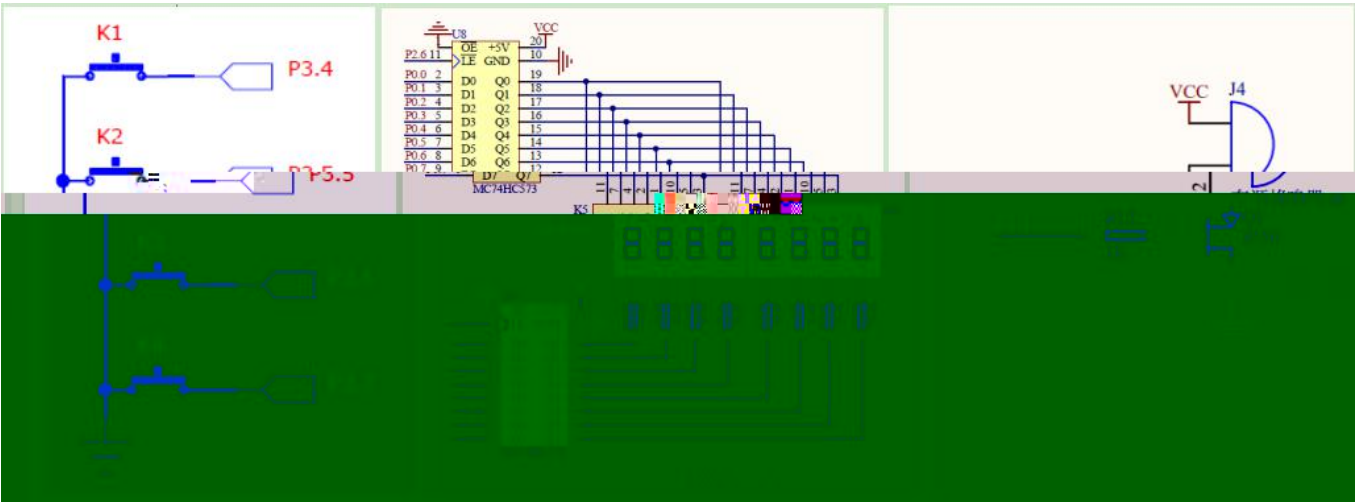


天然气检测装置信号输

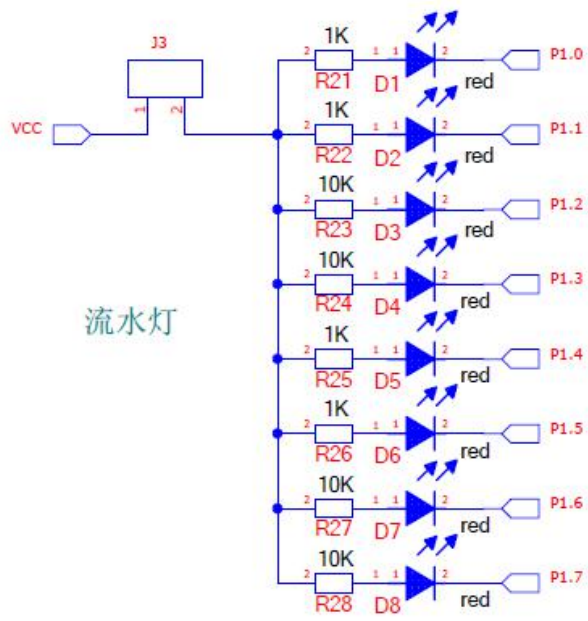




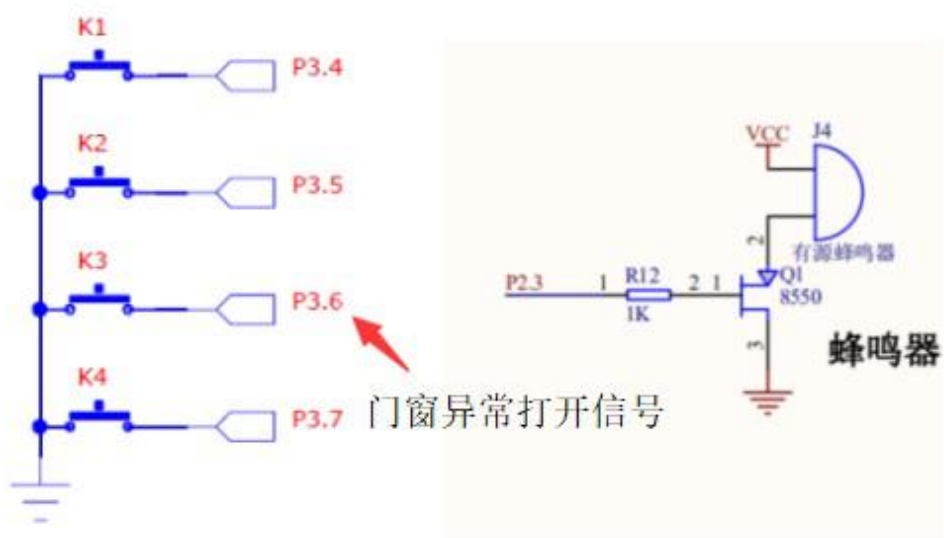




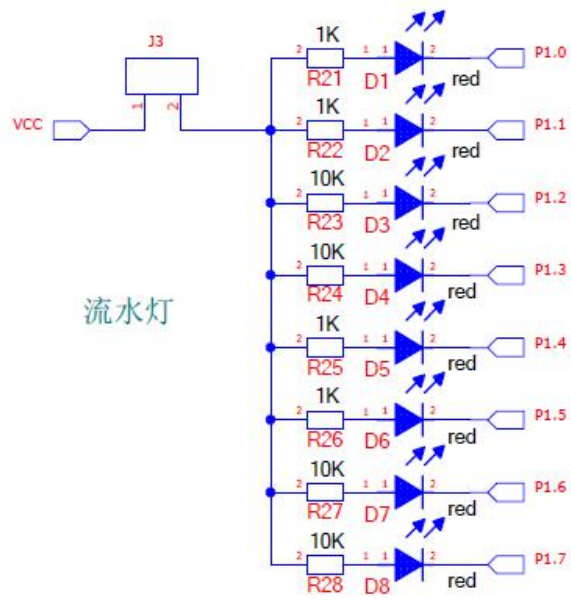




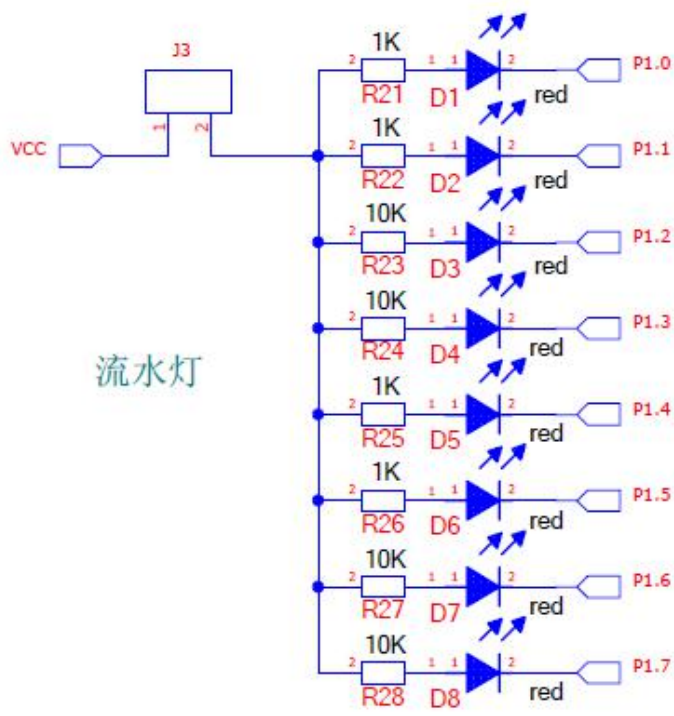




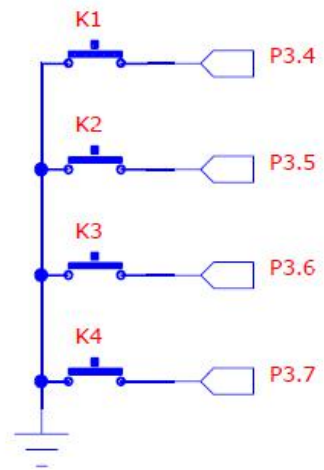








流水灯





1

/ /

1

/ /

/ /

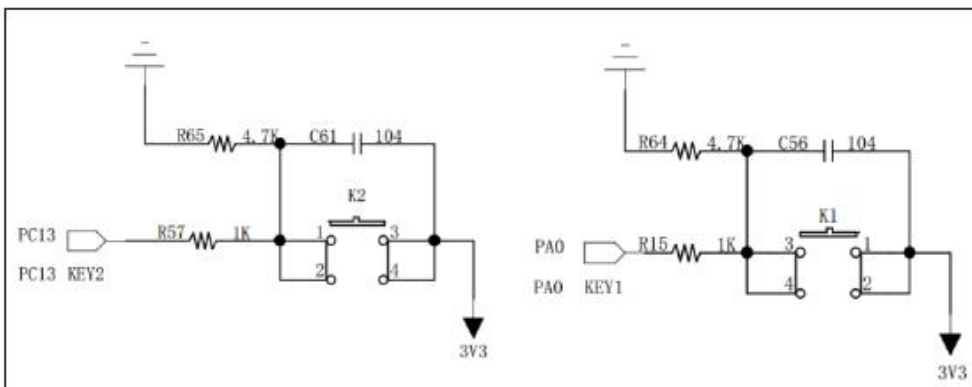
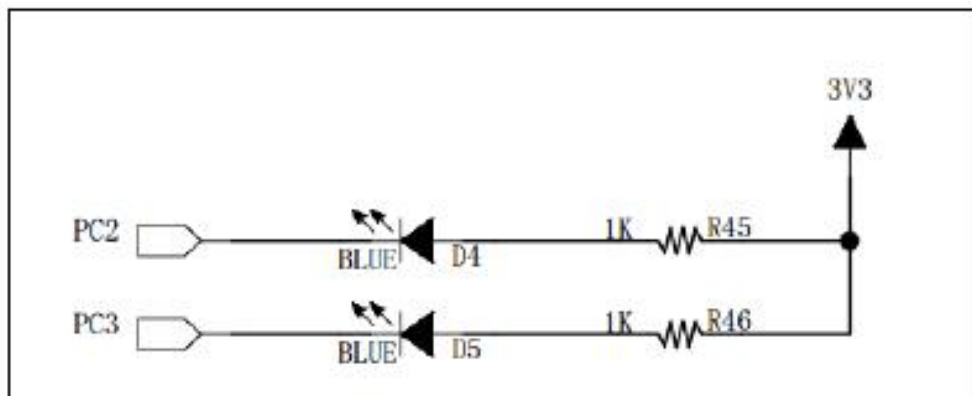
( )

/

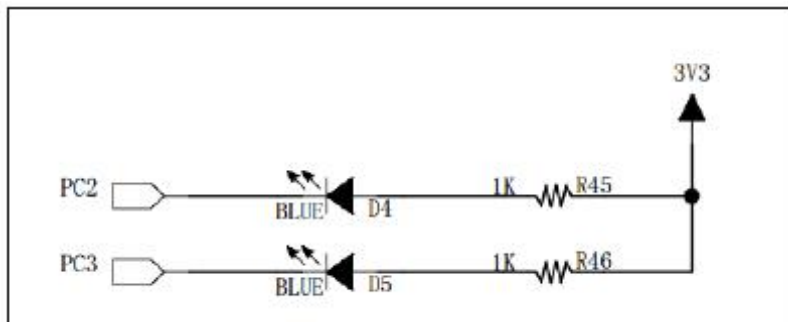
1 0

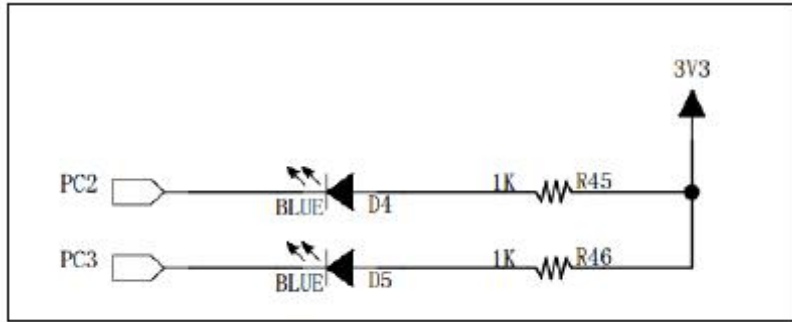
					0

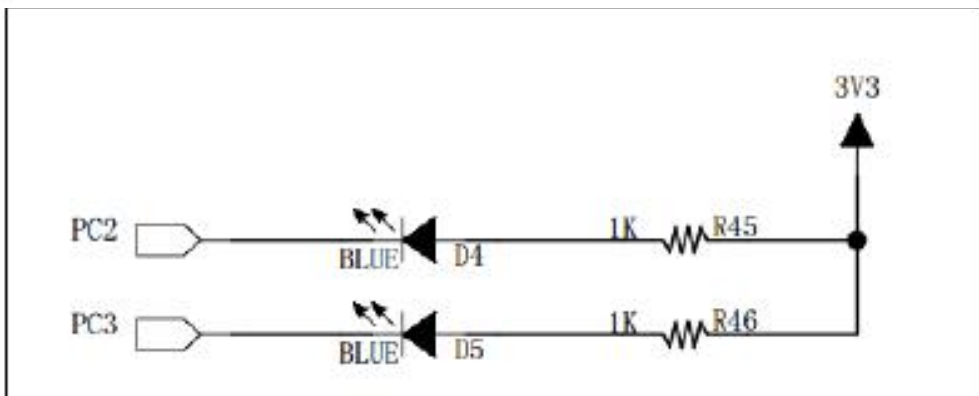
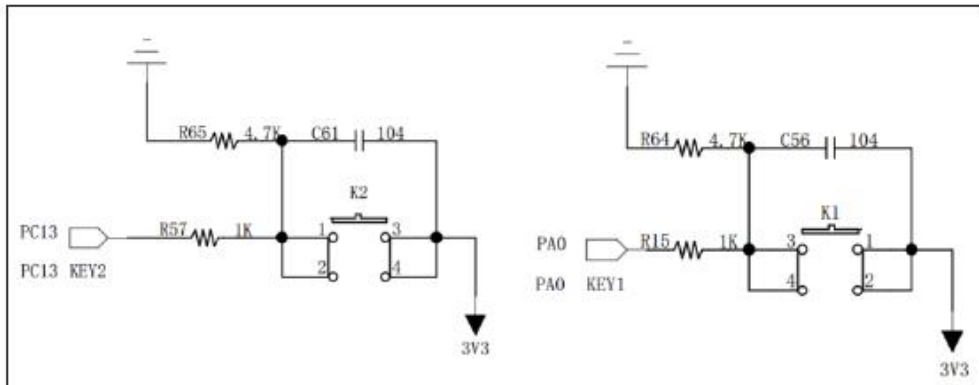


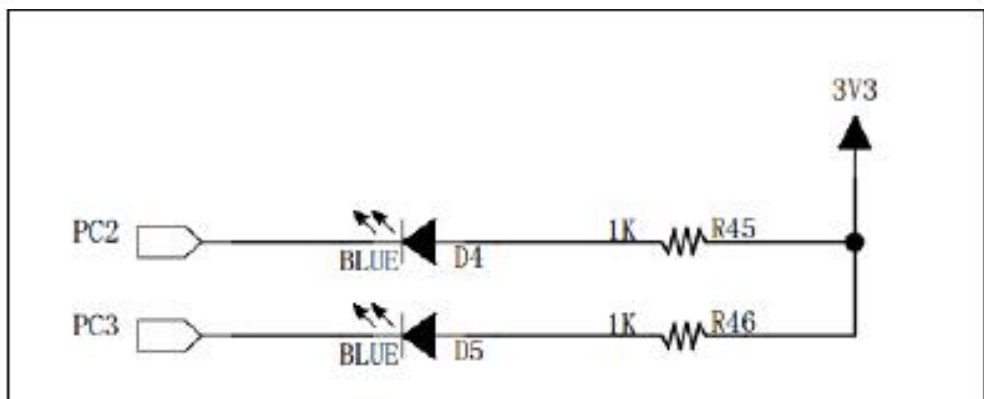
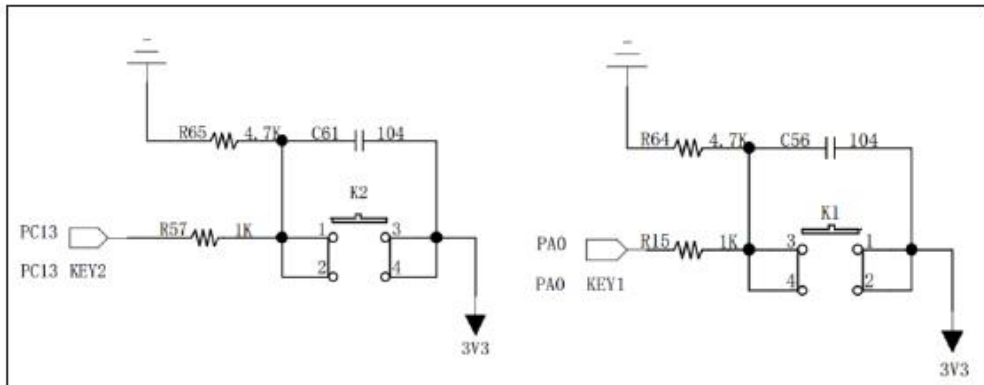










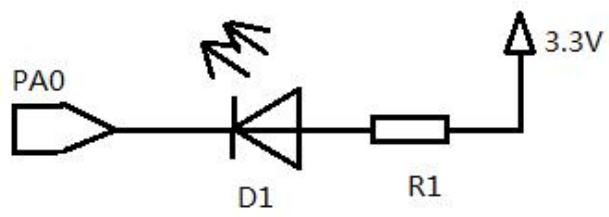






1	VBAT	VDD	64
2	PC13/ANT1	VSS	63
3	PC14/OSC32	PB9/TIM4_CH4/SDIO_D5	62
4	PC15/OSC32	PB8/TIM4_CH3/SDIO_D4	61
5	PD0/OSCIN		60
6	PD1/OSCCAT		59
7	NC		58
8	PC12/PC12		57
9	PC11/PC11		56
10	PC10/PC10		55
11	PC9/PC9		54
12	PC8/PC8		53
13	PC7/PC7		52
14	PC6/PC6		51
15	PC5/PC5		50
16	PC4/PC4		49
17	PC3/PC3		48
18	PC2/PC2		47
19	PC1/PC1		46
20	NC		45
21	VDD		44
22	PC16/PC16		43
23	PC17/PC17		42
24	PC18/PC18		41
25	PC19/PC19		40
26	PC20/PC20		39
27	PC21/PC21		38
28	PC22/PC22		37
29	PC23/PC23		36
30	PC24/PC24		35
31	PC25/PC25		34
32	PC26/PC26		33
33	PC27/PC27		32
34	PC28/PC28		31
35	PC29/PC29		30
36	PC30/PC30		29
37	PC31/PC31		28
38	PC32/PC32		27
39	PC33/PC33		26
40	PC34/PC34		25
41	PC35/PC35		24
42	PC36/PC36		23
43	PC37/PC37		22
44	PC38/PC38		21
45	PC39/PC39		20
46	PC40/PC40		19
47	PC41/PC41		18
48	PC42/PC42		17
49	PC43/PC43		16
50	PC44/PC44		15
51	PC45/PC45		14
52	PC46/PC46		13
53	PC47/PC47		12
54	PC48/PC48		11
55	PC49/PC49		10
56	PC50/PC50		9
57	PC51/PC51		8
58	PC52/PC52		7
59	PC53/PC53		6
60	PC54/PC54		5
61	PC55/PC55		4
62	PC56/PC56		3
63	PC57/PC57		2
64	PC58/PC58		1

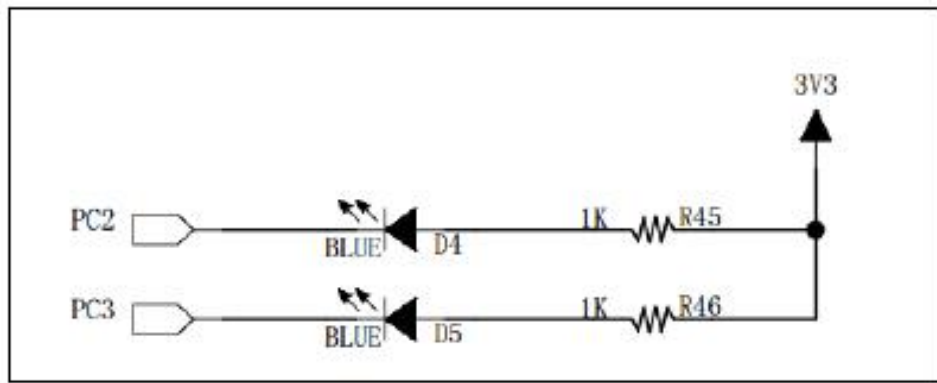
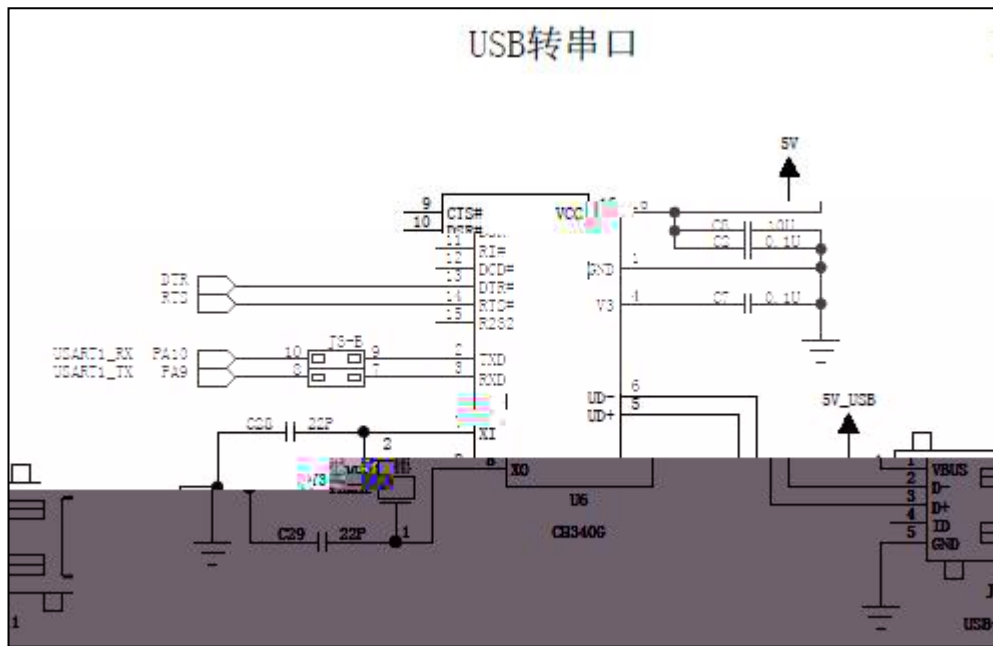




1	VBAT	VDD	64
2	PC13/ANT1	VSS	63
3	PC14/OSC32	PB9/TIM4_CH4/SDIO_D5	62
4	PC15/OSC32	PB8/TIM4_CH3/SDIO_D4	61
5	PD0/OSCIN	W	60
6	PD1/OSCOLIT	RR7/PC1	59
7	NRST	PC14/OSC32	58
8	PA0/NC	PC15/OSC32	57
9	PC1/OSC11	PC13/ANT1	56
10	PA4/OSC12	PC14/OSC32	55
11	PC2/OSC11	PC15/OSC32	54
12	PA8	PC13/ANT1	53
13	PC3	PC14/OSC32	52
14	PA9/PC15/OSC12	PC15/OSC32	51
15	PC4/PC14/OSC11	PC13/ANT1	50
16	PA10/PC15/OSC12	PC14/OSC32	49
17	PC5/PC15/OSC12	PC15/OSC32	48
18	PC6	PC13/ANT1	47
19	PC7	PC14/OSC32	46
20	PC8	PC15/OSC32	45
21	PC9	PC13/ANT1	44
22	PC10	PC14/OSC32	43
23	PC11	PC15/OSC32	42
24	PC12	PC13/ANT1	41
25	PC13	PC14/OSC32	40
26	PC14	PC15/OSC32	39
27	PC15	PC13/ANT1	38
28	PC16	PC14/OSC32	37
29	PC17	PC15/OSC32	36
30	PC18	PC13/ANT1	35
31	PC19	PC14/OSC32	34
32	PC20	PC15/OSC32	33
33	PC21	PC13/ANT1	32
34	PC22	PC14/OSC32	31
35	PC23	PC15/OSC32	30
36	PC24	PC13/ANT1	29
37	PC25	PC14/OSC32	28
38	PC26	PC15/OSC32	27
39	PC27	PC13/ANT1	26
40	PC28	PC14/OSC32	25
41	PC29	PC15/OSC32	24
42	PC30	PC13/ANT1	23
43	PC31	PC14/OSC32	22
44	PC32	PC15/OSC32	21
45	PC33	PC13/ANT1	20
46	PC34	PC14/OSC32	19
47	PC35	PC15/OSC32	18
48	PC36	PC13/ANT1	17
49	PC37	PC14/OSC32	16
50	PC38	PC15/OSC32	15
51	PC39	PC13/ANT1	14
52	PC40	PC14/OSC32	13
53	PC41	PC15/OSC32	12
54	PC42	PC13/ANT1	11
55	PC43	PC14/OSC32	10
56	PC44	PC15/OSC32	9
57	PC45	PC13/ANT1	8
58	PC46	PC14/OSC32	7
59	PC47	PC15/OSC32	6
60	PC48	PC13/ANT1	5
61	PC49	PC14/OSC32	4
62	PC50	PC15/OSC32	3
63	PC51	PC13/ANT1	2
64	PC52	PC14/OSC32	1

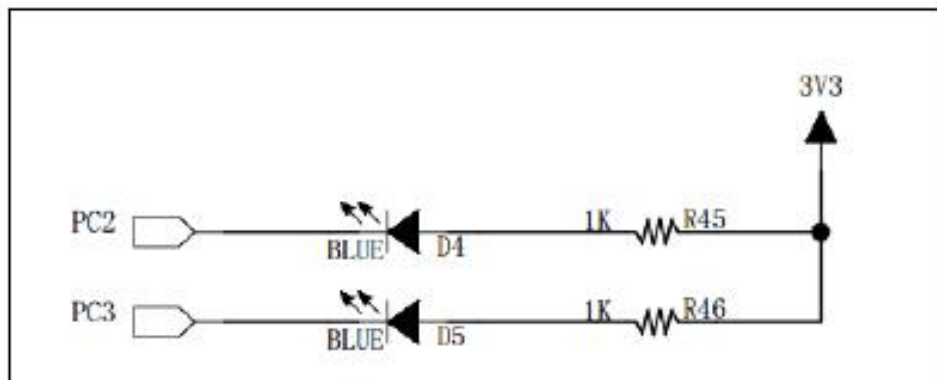
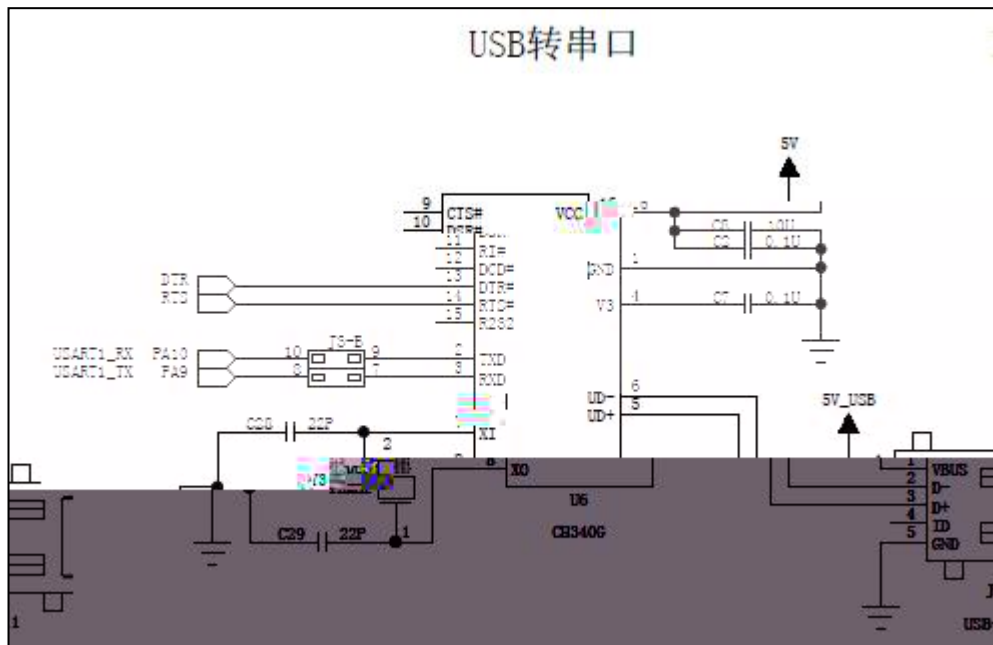


# USB转串口





## USB转串口

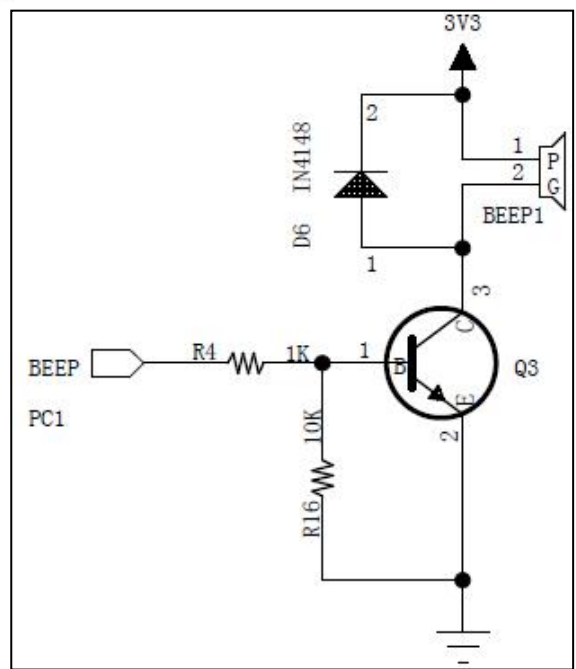
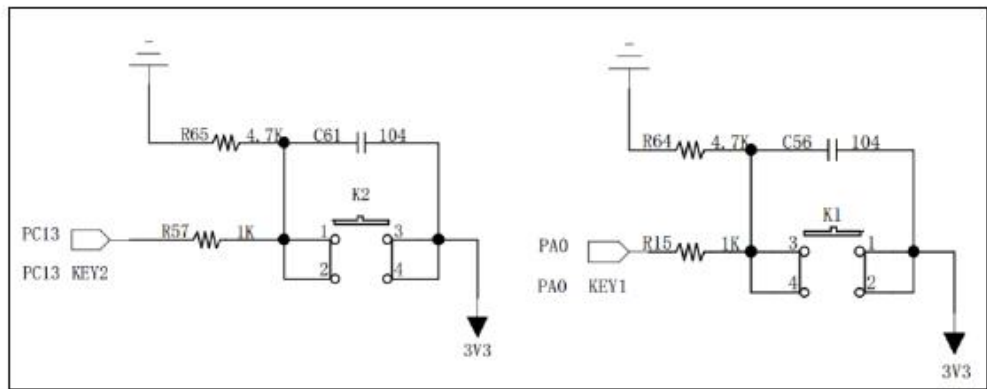
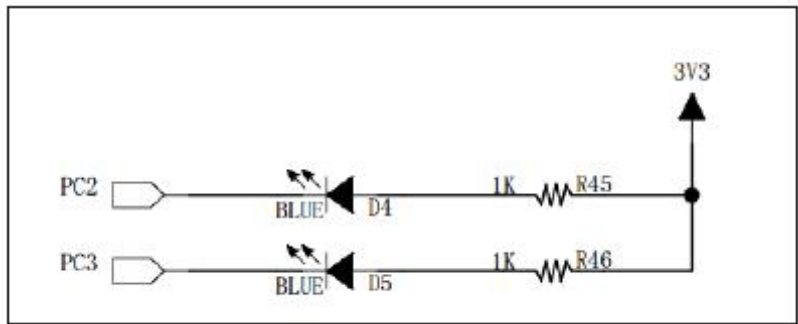






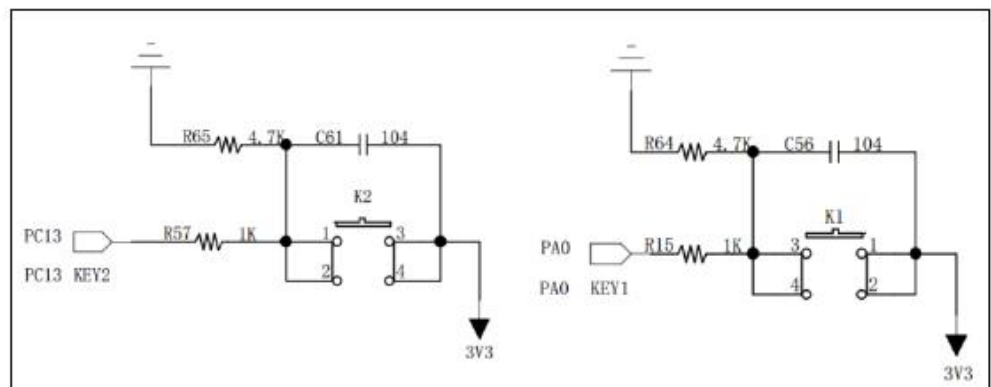
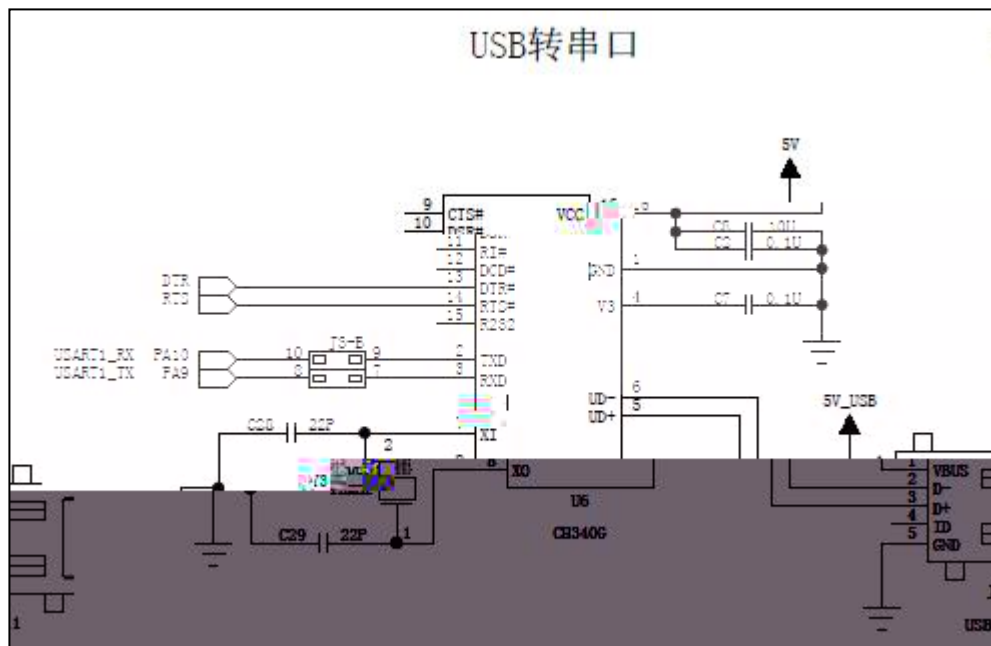






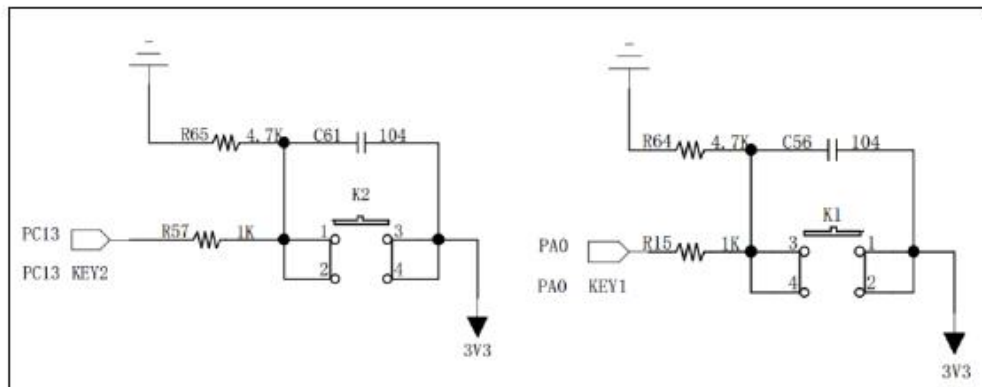
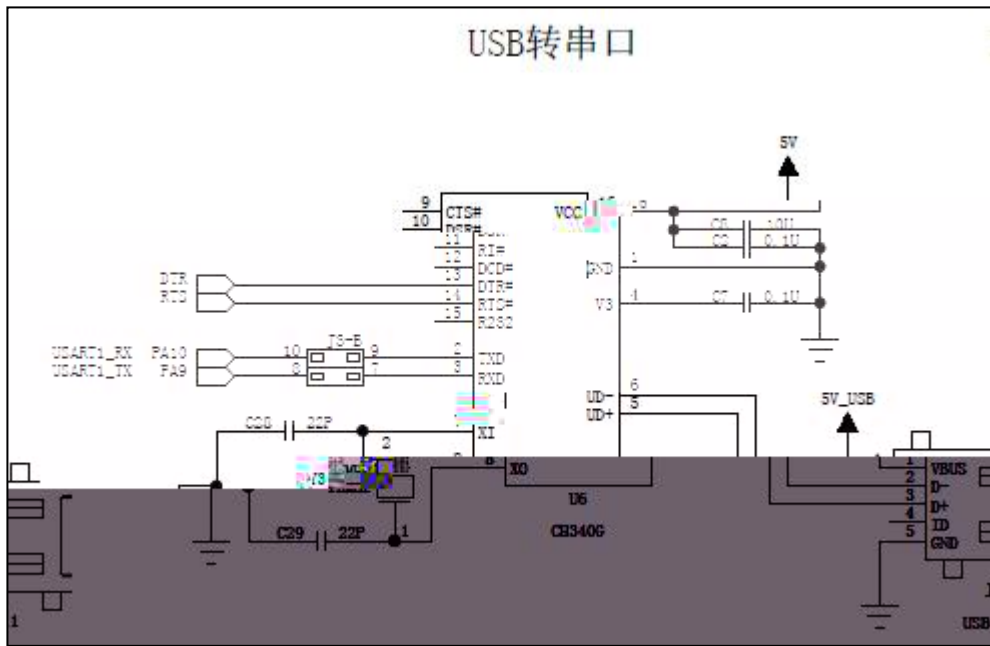


## USB转串口



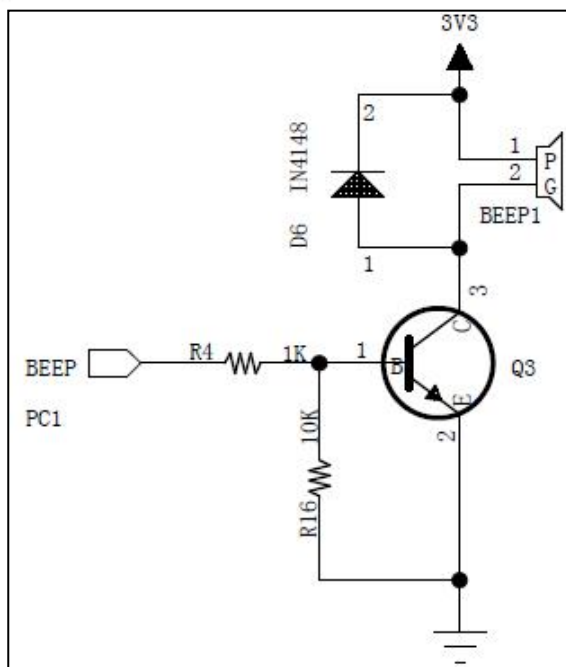
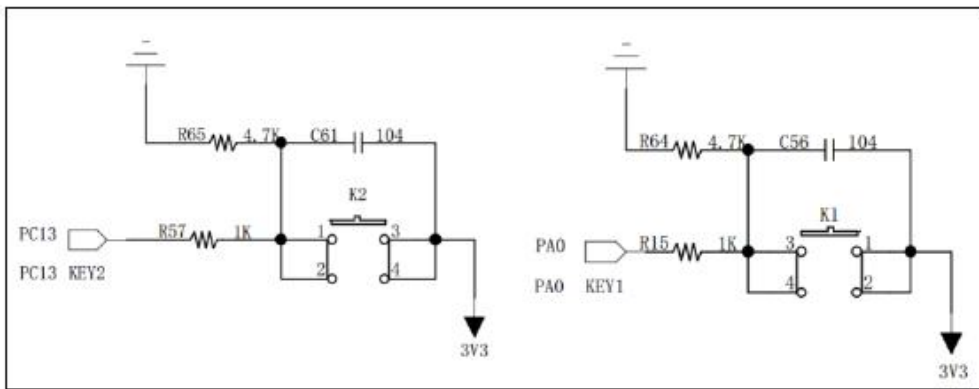
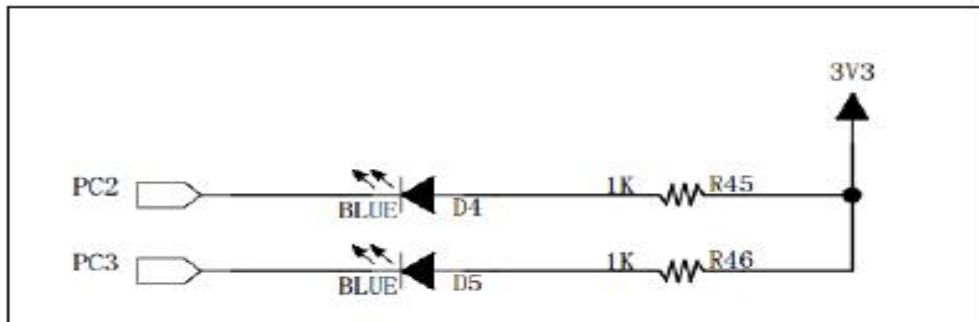
-

# USB转串口

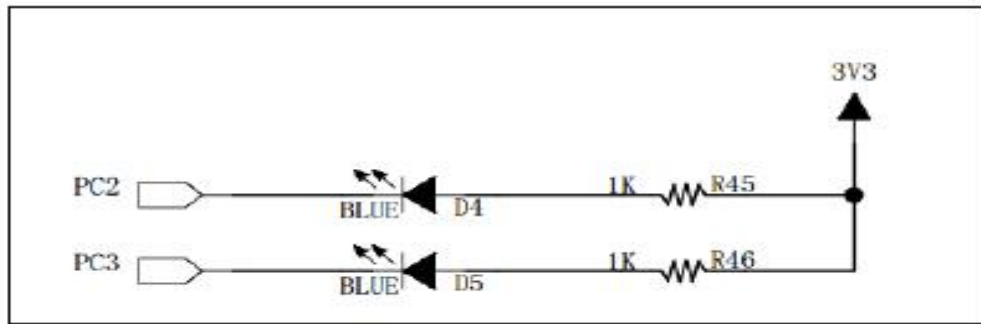


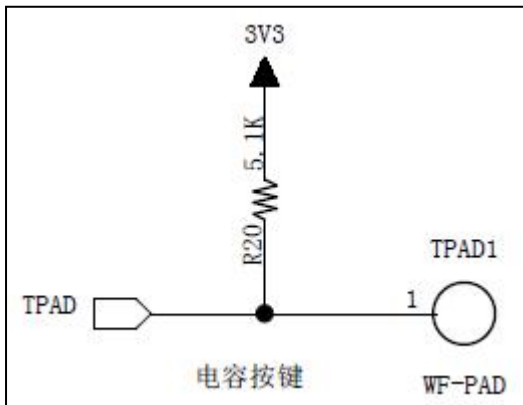
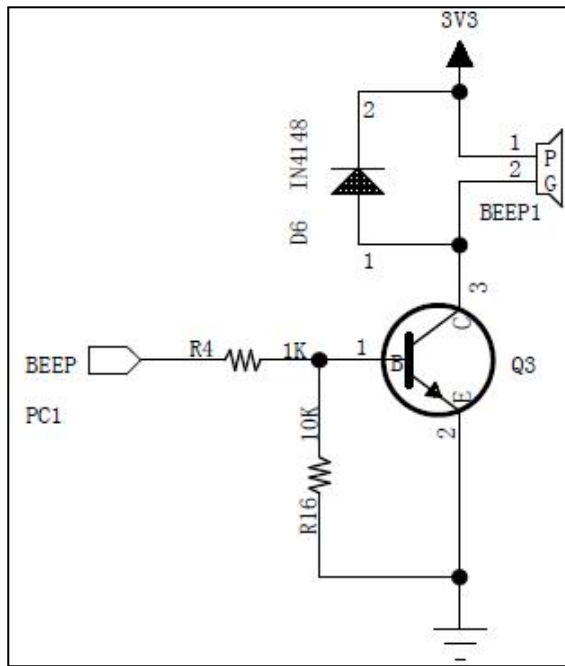
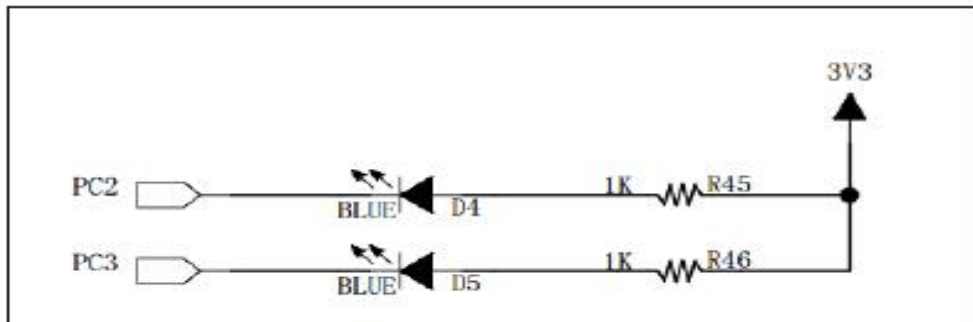




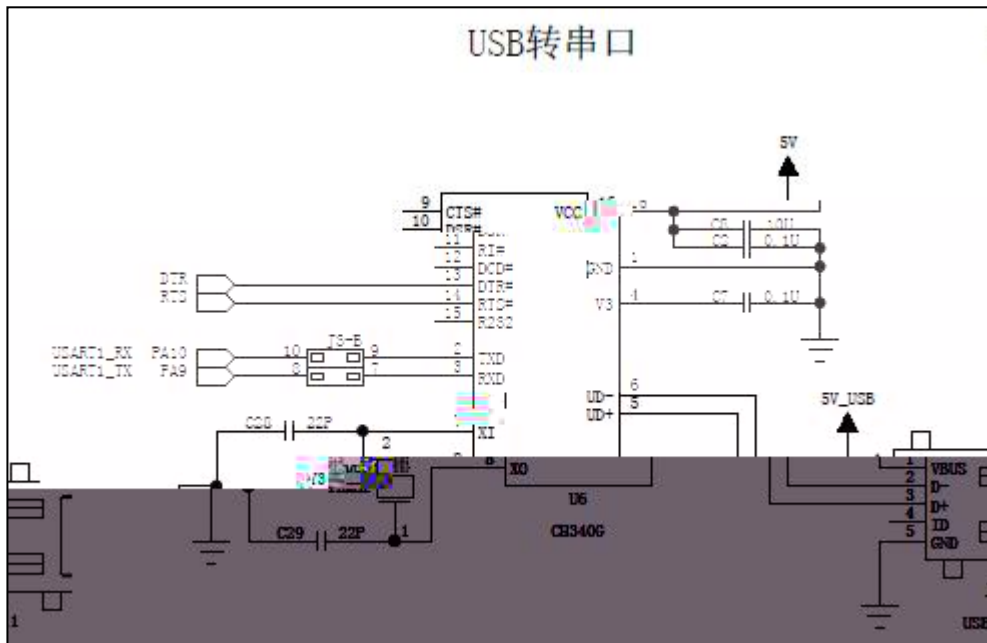
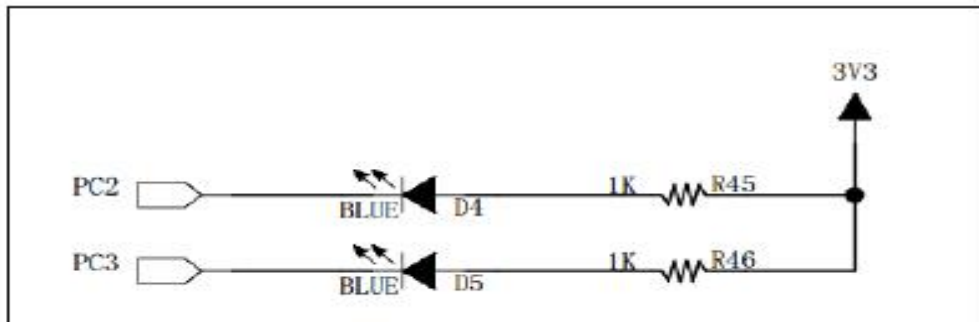
















1

1

/ / .

.0

/ /

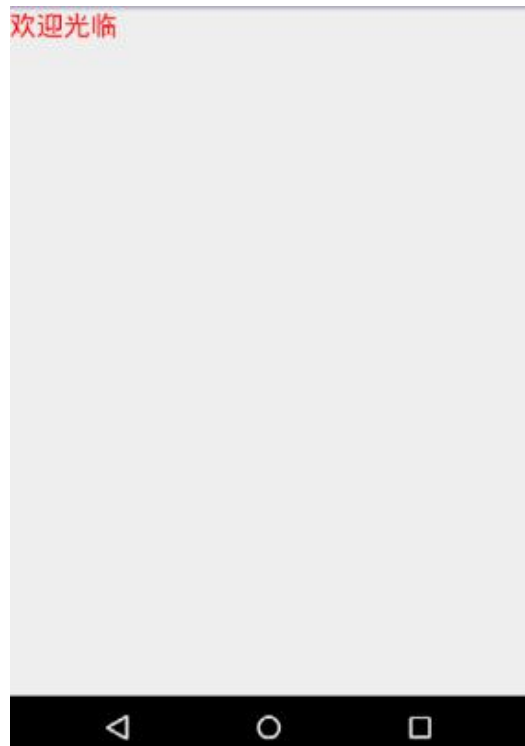
( )

/

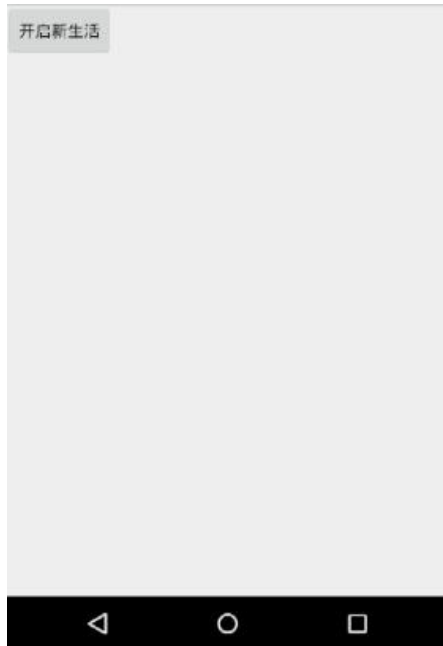
1 0

					0

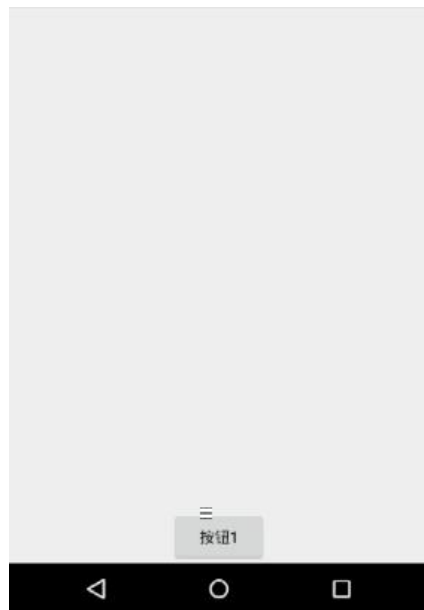
		10		
		10		
		10		

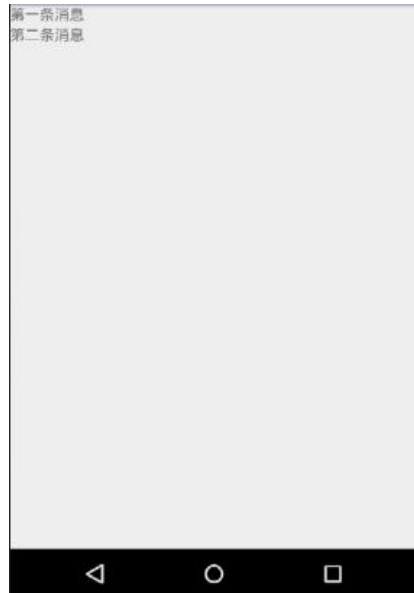


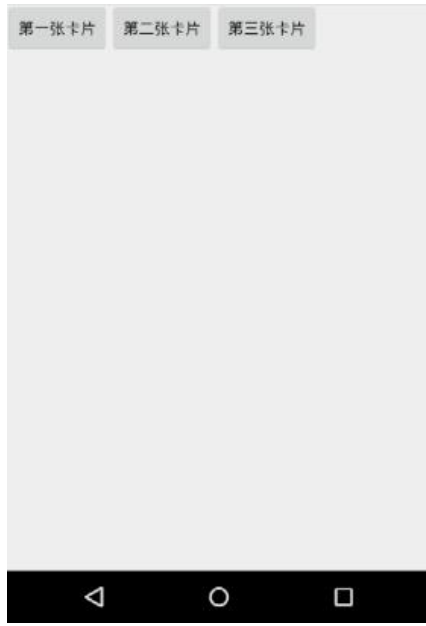
3 :

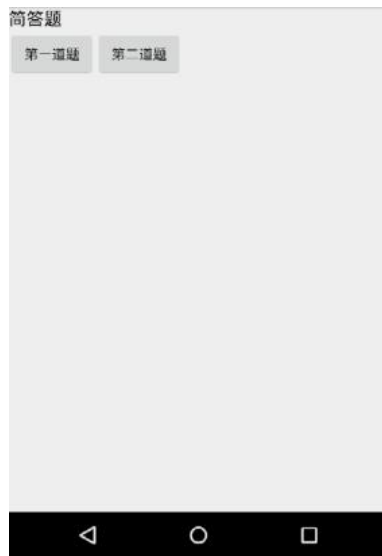


3 :



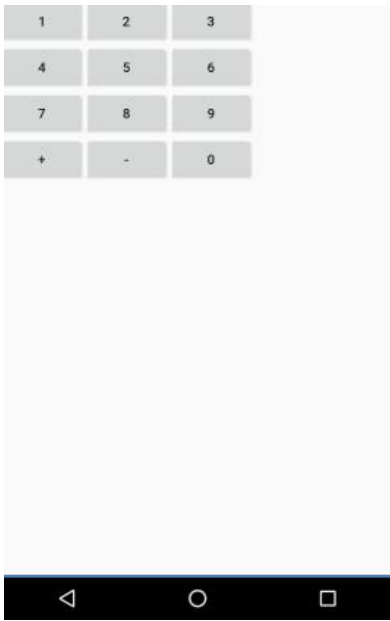


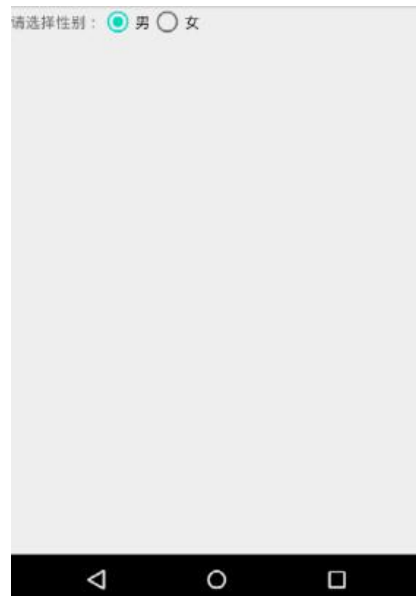




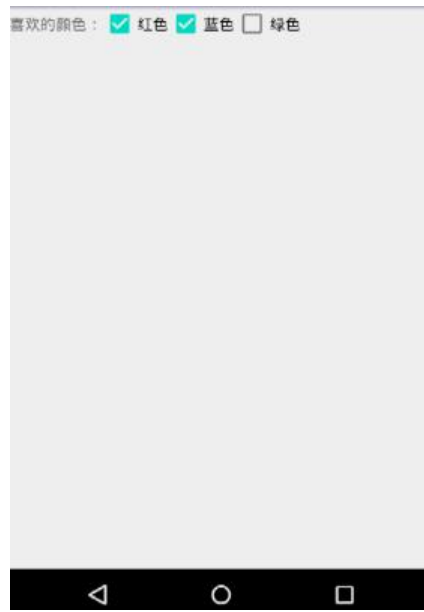








3



3

